

Sink Specification

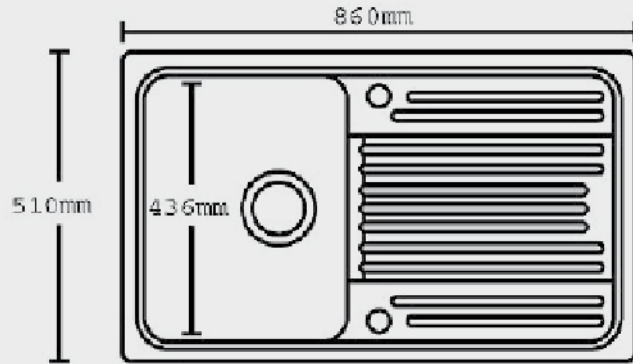
Summit 100



Description:

- Classic design
- Single bowl with reversible drainer
- Ideal space saving sink
- Waste outlet in centre of sink
- Suitable for waste disposal unit

Dimensions:



Material:	Granite
Granite Colours:	Cobalt, Green, Slate, Polar White, Natural White, Champagne, Oatmeal, Platinum, Graphite
Application:	Inset
Bowl Size:	339 x 436 x 210mm
Drainer Format:	Not applicable
Cut-out Size:	844 x 494mm
Seal:	Seal to worktop with silicone sealant
Insulation:	Not applicable
Heat Resistance:	Up to 280°C
Earthing Point:	Not applicable

Waste:
1 x Basket Strainer Waste



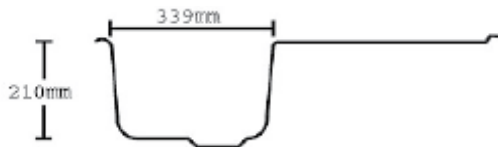
Overflow:
1 x overflow



Accessories Available: Chopping board; wire basket with plate rack

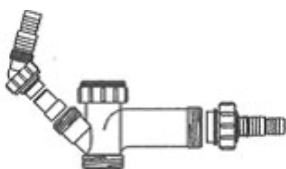


Cabinet Size: Minimum 450mm



Fixing Clips:
12 Supplied

Plumbing Kit supplied:
1 x Pipe Fitting Kit



Taps:

Ceramic disc taps in certain installations or where there is a low head of water (below 3 metres) may not provide adequate flow rates. You are advised to check with your supplier.

Guarantee: Carron Phoenix sinks are backed by a lifetime guarantee against manufacturing defects provided the sink is subjected only to normal household use in the kitchen.