

# Sink Specification

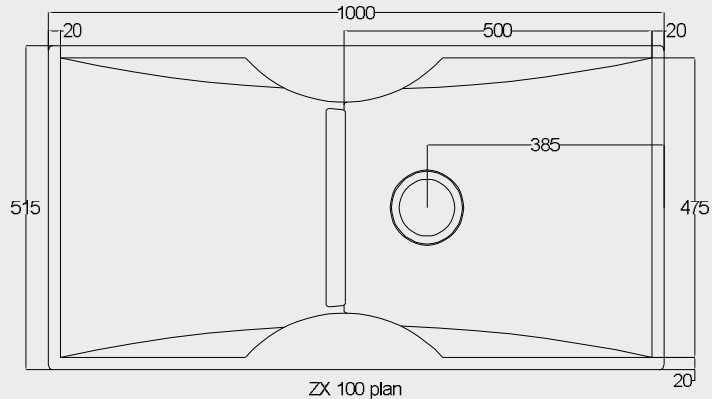
## ZX 100



### Description:

- Stylish, contemporary design
- Extra large bowl and drainer
- Removeable stainless steel overflow
- Basket strainer waste
- Waste outlet in centre of sink
- Suitable for waste disposal unit

### Dimensions:



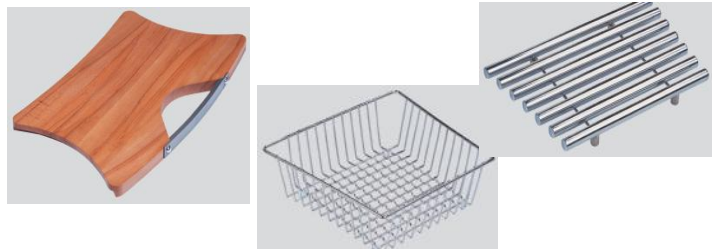
<b>Material:</b>	Granite
<b>Granite Colours:</b>	Cobalt, Champagne, Graphite, Platinum, Stone Grey and Polar White
<b>Application:</b>	Inset or Undermount
<b>Bowl Size:</b>	475x500x210mm
<b>Half Bowl:</b>	310x268x139mm
<b>Drainer Format:</b>	Fully reversible
<b>Cut-out Size:</b>	984x499mm
<b>Seal:</b>	Seal to worktop with silicon sealant
<b>Insulation:</b>	Not applicable
<b>Heat Resistance:</b>	Up to 280°C
<b>Earthing Point:</b>	Not applicable

**Waste:**  
1 x Basket Strainer Waste



**ZX Overflow**  
(Factory Fitted)

**Accessories Available:** Chopping board, wire basket, trivet

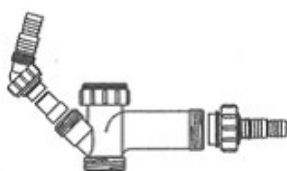


**Cabinet Size:** Minimum 600mm



**Fixing Clips:**  
8 Supplied

**Plumbing Kit supplied:**  
1 x Pipe Fitting Kit



### Taps:

Ceramic disc taps in certain installations or where there is a low head of water (below 3 metres) may not provide adequate flow rates. You are advised to check with your supplier.

**Guarantee:** Carron Phoenix sinks are backed by a lifetime guarantee against manufacturing defects provided the sink is subjected only to normal household use in the kitchen.