

# Sink Specification

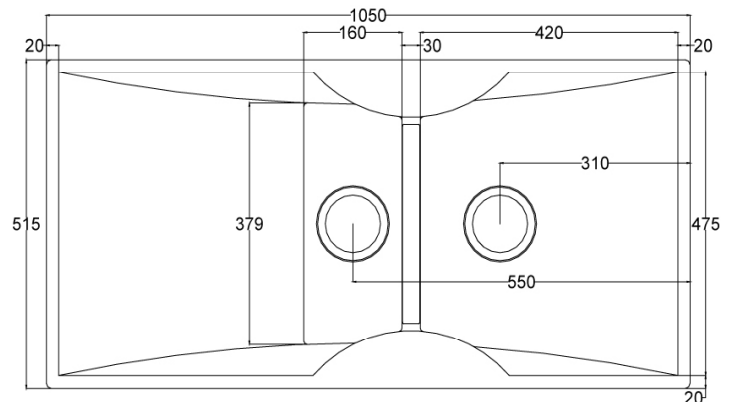
## ZX 150



### Description:

- Stylish, contemporary design
- Single bowl, half bowl and reversible drainer
- Removeable stainless steel overflow
- Basket strainer waste
- Waste outlet in centre of sink
- Suitable for waste disposal unit

### Dimensions:



Material:	Granite
Granite Colours:	Cobalt, Champagne, Graphite, Platinum, Stone Grey and Polar White
Application:	Inset or Undermount
Bowl Size:	475x500x210mm
Half Bowl:	380x160x140mm
Drainer Format:	Fully reversible
Cut-out Size:	1034x499mm
Seal:	Seal to worktop with silicon sealant
Insulation:	Not applicable
Heat Resistance:	Up to 280°C
Earthing Point:	Not applicable

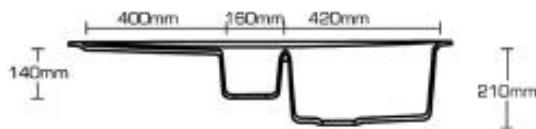
Waste: 2 x Basket Strainer Wastes      ZX Overflow (Factory Fitted)



Accessories Available: Chopping board, wire basket, trivet, strainer bowl

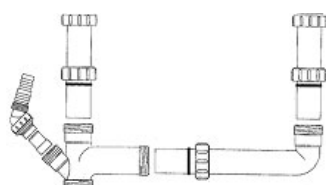


Cabinet Size: Minimum 700mm



Fixing Clips: 8 Supplied

Plumbing Kit supplied:  
1 x Pipe Fitting Kit



Taps: Ceramic disc taps in certain installations or where there is a low head of water (below 3 metres) may not provide adequate flow rates. You are advised to check with your supplier.

Guarantee: Carron Phoenix sinks are backed by a lifetime guarantee against manufacturing defects provided the sink is subjected only to normal household use in the kitchen.