

Sink Specification

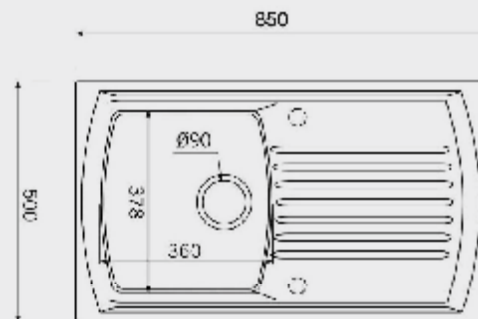
Solaris 100



Description:

- Modern functional design
- Large single bowl
- Waste in centre of sink
- Heavy sink, two man lift

Dimensions:



Material:	Ceramic
Colour/Finish	White
Application:	Inset
Bowl Size:	360 x 378 x 200mm
Drainer Format:	Reversible
Cut-out Size:	830 x 480mm
Seal:	n/a
Insulation:	n/a
Heat Resistance:	Up to 280°C
Earthing Point:	n/a

Waste:
1 x Basket Strainer Waste

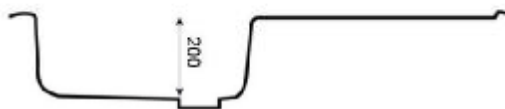


Overflow:
1 x Overflow



Accessories Available: none

Cabinet Size: Minimum 500mm



Fixing Clips:
n/a

Suggested Plumbing Kit:

Taps:
Ceramic disc taps in certain installations or where there is a low head of water (below 5 metres) may not provide adequate flow rates. You are advised to check with your supplier.