

Sink Specification

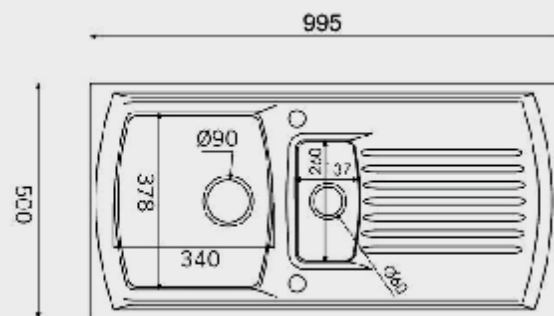
Solaris 150



Description:

- Modern functional design
- Large single bowl with half bowl
- Waste in centre of sink
- Heavy sink, two man lift

Dimensions:



Material:	Ceramic
Colour/Finish	White
Application:	Inset
Bowl Sizes:	340 x 378 x 195mm 137 x 260 x 90mm
Drainer Format:	Reversible
Cut-out Size:	975 x 480mm
Seal:	n/a
Insulation:	n/a
Heat Resistance:	Up to 280°C
Earthing Point:	n/a

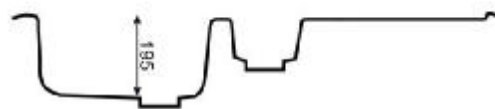
Waste:

1 x Basket Strainer Waste plus 1 x mini BSW



Accessories Available: none

Cabinet Size: Minimum 600mm



Fixing Clips:

n/a

Suggested Plumbing Kit:

Taps:

Ceramic disc taps in certain installations or where there is a low head of water (below 5 metres) may not provide adequate flow rates. You are advised to check with your supplier.