

## AFTER CARE:

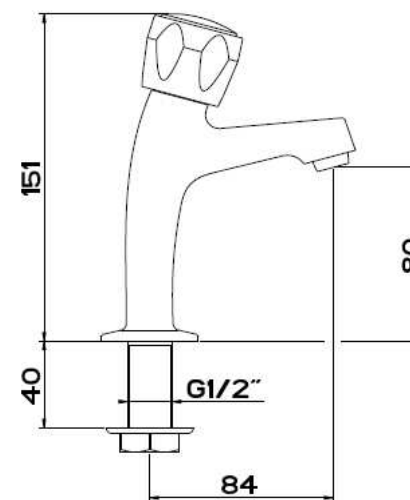
To maintain the appearance of this tap, ensure that it is regularly cleaned only using a clean, soft damp cloth. A solution of warm water and a mild liquid detergent may be used where necessary, and then the fitting rinsed thoroughly and wiped dry. Abrasive cleaners, scouring cleaners and acid cleaners **must not be used** under any circumstances. All bath cleaning powders and liquids will damage the surface of your fitting even the non-scratch cleaners. Avoid contact with all solvents and any harsh household chemicals. You will damage the plated finish and void your guarantee.



## GUARANTEE AND LIABILITY

In the unlikely event that you should experience any defect in the material or workmanship of your mixer tap within 5 years of purchase, we will replace the faulty part free of charge. Decorative surface finishes and valves are guaranteed for one year from the date of purchase provided that our advise concerning care has been observed and no scouring agents have been used. This is provided that the mixer or tap has been used for normal domestic purposes in the UK and that the care, installation and maintenance instructions have been observed. Scuff and scratches caused by normal wear and tear, improper installation or accidental damage are excluded from this guarantee. You should retain a copy of your dated invoice as proof of purchase to validate any claims under this guarantee. No other warranties, express or implied, are made, including merchantability or fitness for a particular purpose.

## PILLAR



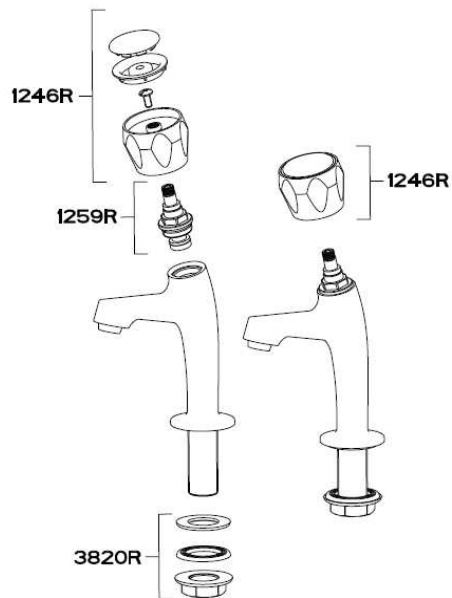
## SPARE PARTS AND SERVICE

Contact	CARRON PHOENIX
Phone	01324 638321
Fax	01324 611962
e-mail	sales@carron.com
web-site	www.carron.com

## Fitting Instructions & Contents List

Please keep these instructions for future reference and request of replacement parts.





CODE	DESCRIPTION
1246R+color	Handle
1259R	Valve
3820R	Fixing Kit

In the unlikely event you find a part missing please contact our Customer Service Help line on 01324-638321 for immediate dispatch of part.

### **Maintenance:**

If the fitting begins to drip:

- 1) Turn off the water supply
- 2) Loosen grub screw under handle lever, remove handle and valve
- 3) Carefully clean seating.
- 4) Replace valve and handle, then turn on the water supply.
- 5) If problem persists contact our help line quoting the product code.

### **Remember:**

Maximum water supply pressure: 75 PSI (5 bar)  
 Maximum hot-water supply temperature: 70 °C  
 Recommended hot-water supply temperature: 65 °C

If these temperatures or water pressure are exceeded damage to the tap can result. A pressure reducing valve may be required to be fitted in high water pressure situations.

**Please read these instructions before you install and use the tap.** All designs, descriptions and dimensions are subject to change without notice.

### **Preparation**

Flush the plumbing system before installing the mixer tap. This is to avoid plumbing residues clogging the mesh of the aerated outlet, or possibly damaging the valve's washers. This is especially important where extensive plumbing work has been carried out.

First shut off your water heating system then, with your mains stop cock closed, open the lowest hot and cold taps in the house and allow to run until the cold storage tank and pipes are empty. (The hot water storage cylinder always remains full).

### **Installation**

- Remove the fixing nut from the tail pipe.
- Pass the rubber washer over the tail.
- Insert the tail into the hole on the sink top from above and place the tap in position on the sink.
- Replace the fixing nut and secure the tap, screwing the fixing nut finger tight.
- Check the tap is correctly positioned and fully tighten the fixing nut.
- Connect the tap to the water supply.
- The Hot water pillar tap should be connected on the left hand side when viewed from the front.

