

### **AFTER CARE:**

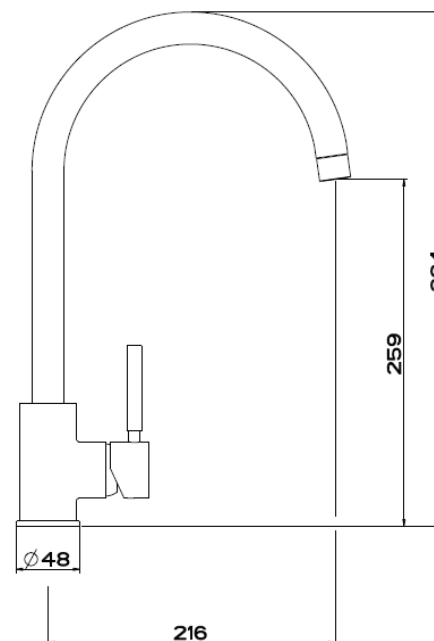
To maintain the appearance of this tap, ensure that it is regularly cleaned only using a clean, soft damp cloth. A solution of warm water and a mild liquid detergent may be used where necessary, and then the fitting rinsed thoroughly and wiped dry. Abrasive cleaners, scouring cleaners and acid cleaners **must not be used** under any circumstances. All bath cleaning powders and liquids will damage the surface of your fitting even the non-scratch cleaners. Avoid contact with all solvents and any harsh household chemicals. You will damage the plated finish and void your guarantee.



### **GUARANTEE AND LIABILITY**

In the unlikely event that you should experience any defect in the material or workmanship of your mixer tap within 5 years of purchase, we will replace the faulty part free of charge. Decorative surface finishes and valves are guaranteed for one year from the date of purchase provided that our advise concerning care has been observed and no scouring agents have been used. This is provided that the mixer or tap has been used for normal domestic purposes in the UK and that the care, installation and maintenance instructions have been observed. Scuff and scratches caused by normal wear and tear, improper installation or accidental damage are excluded from this guarantee. You should retain a copy of your dated invoice as proof of purchase to validate any claims under this guarantee. No other warranties, express or implied, are made, including merchantability or fitness for a particular purpose.

## **SAVOY**



## **SPARE PARTS AND SERVICE**

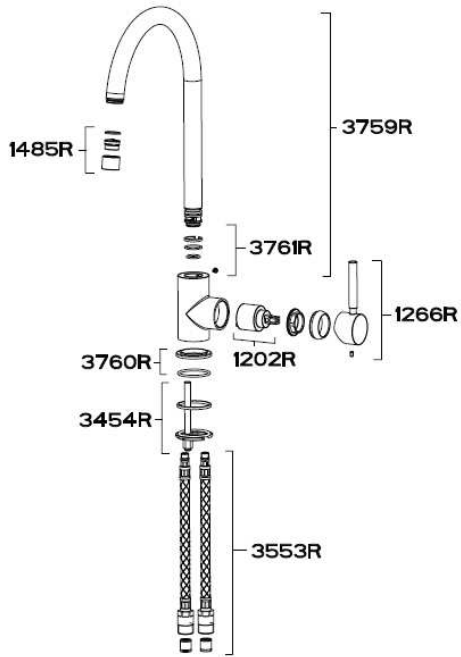
Contact  
Phone  
Fax  
e-mail  
web-site

CARRON PHOENIX  
01324 638321  
01324 611962  
sales@carron.com  
www.carron.com

### **Fitting Instructions & Contents List**

Please keep these instructions for future reference and request of replacement parts.





CODE	DESCRIPTION
1485R+color	Antisplash
3759R+color	Spout
3761R	O-ring kit
1266R+color	Handle
1202R	Cartridge
3454R	Fixing Kit
3553R	Flexi-tails
3760R+color	Plinth

In the unlikely event you find a part missing please contact our Customer Service Help line on 01324-638321 for immediate dispatch of part.

### **Maintenance:**

If the fitting begins to drip:

- 1) Turn off the water supply
- 2) Loosen grub screw under handle lever, remove handle and valve
- 3) Carefully clean seating, rubber washer and ceramic disc.
- 4) Replace valve and handle, then turn on the water supply.
- 5) If problem persist contact our help line quoting the product code.

Where an aerator is fitted to the outlet of the spout, it will need occasional cleaning. This will be evident when the water flow slows down to an unacceptable level. To accomplish this unscrew the outlet in an anti-clockwise direction and remove the mesh. Immerse the mesh in a suitable descaling fluid overnight, rinse thoroughly in clean water and re-install.

### **Remember:**

Maximum water supply pressure: 75 PSI (5 bar)  
 Maximum hot-water supply temperature: 70 °C  
 Recommended hot-water supply temperature: 65 °C

If these temperatures or water pressure are exceeded damage to the tap can result. A pressure reducing valve may be required to be fitted in high water pressure situations.

**Please read these instructions before you install and use the tap.** All designs, descriptions and dimensions are subject to change without notice.

### **Preparation**

Flush the plumbing system before installing the mixer tap. This is to avoid plumbing residues clogging the mesh of the aerated outlet, or possibly damaging the valve's washers. This is especially important where extensive plumbing work has been carried out.

First shut off your water heating system then, with your mains stop cock closed, open the lowest hot and cold taps in the house and allow to run until the cold storage tank and pipes are empty. (The hot water storage cylinder always remains full).

### **Installation**

- First screw the threaded stud into the mixer body. Screw the Flexi-tails into the mixer body, and fully hand tighten.
- Slide the plinth over the flexi on the base of the tap. Pass the rubber washer over the flexi-tails and threaded stud to form a seal on sink top with the tap plinth.
- Pass the rubber washer over the flexi-tails and threaded stud to form a seal on sink top.
- When the tap is in position (with the cold side on the right when viewed from the front) slide the nylon bracing plate up to the underside to the sink together with the retaining plate, and secure by screwing the fixing nut finger tight. Check that the mixer body is correctly positioned and fully tighten fixing nut.
- For safety, a non return valves is supplied with the flexible connections. Therefore, this mixer is designed to conform to all UK regulations
- Hot water should be connected to the left when viewed from the front.
- Having first checked all new connections, turn on the mains stop cock, close all taps except the new mixer and as the system starts to refill check for leaks.

